



34" UWQHD curved with USB-C dock and KVM switch

Inspired by the curve of the human eye, the 1500R curved VA screen offers superb images along with a comfortable and immersive viewing experience. Equipped with the KVM switch, the XCB3494WQSN enables you to connect multiple computers which can be operated over one console (monitor, keyboard, mouse). The USB-C dock connector allows you to simplify your workspace by using a single cable to both send the signal from your notebook to your monitor while charging the notebook from the monitor. Additionally, if your monitor is connected to the Internet via a LAN cable, your notebook will automatically be connected to the network.



KVM SWITCH

Having a monitor with a KVM switch allows you to share the devices connected via USB to your monitor with two different PCs. Just change the signal input in the OSD menu of the monitor and your keyboard, mouse and webcam will switch from your work laptop to your gaming PC.



USB-C Dock

The dock allows you to connect your laptop with a single cable to the monitor to both make sure it is charged and connected to a wired network and signal from the laptop is sent to the monitor. With additional USB-ports, your mouse, keyboard or webcam can also be connected to the monitor. All thanks to a single cable connecting your laptop* to the USB C dock in the monitor.
*Functions vary depending on your laptop USB-C support.

01 DISPLAY CHARACTERISTICS

Design	curved
Diagonal	34", 86.4cm
Panel	VA panel, matte finish
Curved	1500R
Native resolution	3440 x 1440 @120Hz (4.9 megapixel UWQHD, DisplayPort & USB-C)
Aspect ratio	21:9
Panel brightness	300 cd/m ²
Static contrast	3000:1
Advanced contrast	80M:1
Response time (MPRT)	0.4ms
Viewing zone	horizontal/vertical: 178°/178°, right/left: 89°/89°, up/down: 89°/89°
Colour support	16.7mln (sRGB: 99%; NTSC: 93%)
Horizontal Sync	30 - 185kHz
Viewable area W x H	797.2 x 333.7mm, 31.4 x 13.1"
Pixel pitch	0.232mm
Colour	matte, black

02 INTERFACES / CONNECTORS / CONTROLS

Signal input	HDMI x1 (3440 x 1440@ 100Hz) DisplayPort x1 (3440 x 1440@ 120Hz)
USB HUB	x3 (v.3.0 (DC5V, 900mA))
USB-C	x1 (Power delivery 65W)
USB-C DOCK	x1 (Power delivery 65W, LAN, USB 3.0)
HDCP	yes
Headphone connector	yes
RJ45 (LAN)	x1

03 FEATURES

Blue light reducer	yes
Flicker free	yes
Adaptive Sync support	HDMI: 3440 x 1440 @48-100Hz, DP / USB-C: 3440 x 1440 @48-120Hz
Extra	i-Style Colour
OSD languages	EN, DE, FR, ES, IT, PT, RU, JP, NL, PL
Control buttons	joystick controller: Push (Menu), Up, Down, Left (Eco), Right (Blue Light Reducer), Input, Volume +, Volume -, Power
User controls	picture adjust (brightness, contrast, Eco, blue light reducer, ACR, OD, black tuner), image adjust (video mode adjust, sharp and soft, X-Res technology), colour settings (gamma, 6-axis, colour temp., i-Style colour), signal select, audio adjust (volume, mute), setup menu (OSD H. Position, OSD V. Position, OSD time, language), extra1 (HDR, FreeSync Premium, HDMI range, MBR), Extra2 (reset, DDCCI, opening logo, LED, USB-C, KVM, USB Standby mode, information)
Speakers	2 x 2W
Convenience	Kensington-lock™ prepared, DDC2B

04 MECHANICAL

Display position adjustments	height, tilt
------------------------------	--------------

Height adjustment	130mm
Tilt angle	20° up; 3° down
VESA mounting	100 x 100mm
Cable management system	yes

05 ACCESSORIES INCLUDED

Cables	power, USB, HDMI, DP, USB-C
Other	quick start guide, safety guide

06 POWER MANAGEMENT

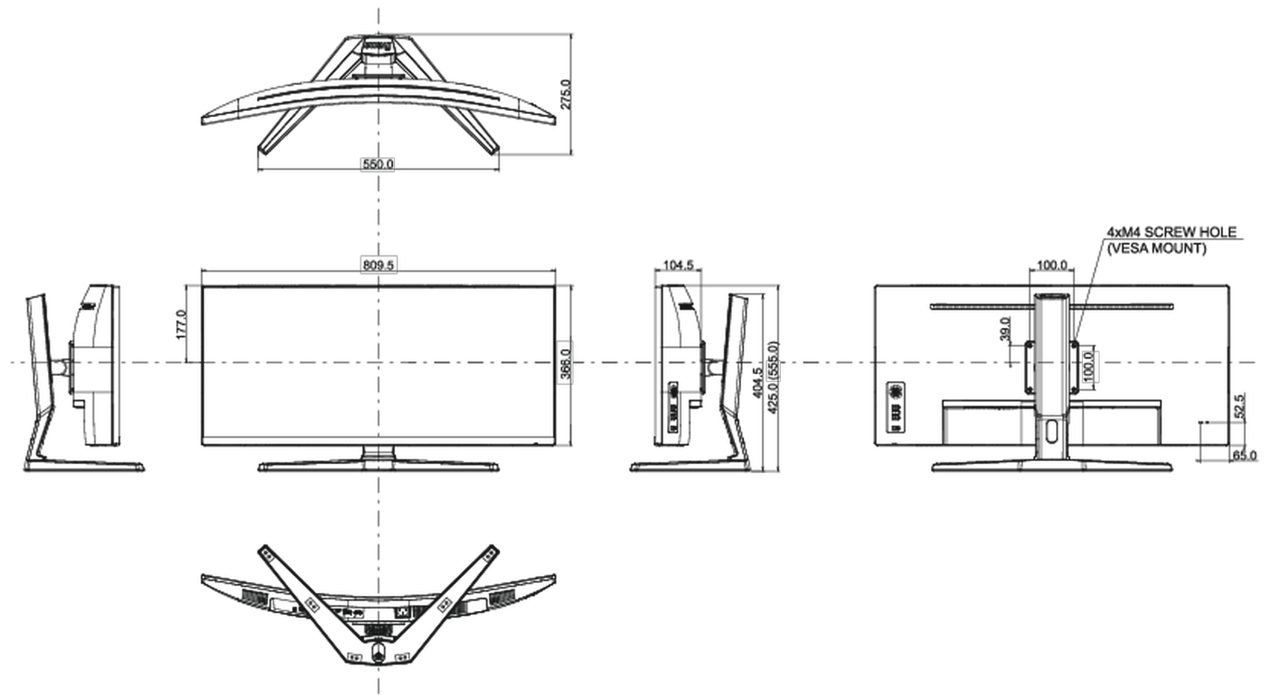
Power supply unit	internal
Power supply	AC 100 - 240V, 50/60Hz
Power usage	56W typical, 0.5W stand by, 0.5W off mode

07 SUSTAINABILITY

Regulations	CE, TÜV-Bauart, EAC, VCCI-B, PSE, RoHS support, ErP, WEEE, REACH, UKCA
Energy efficiency class (Regulation (EU) 2017/1369)	G
REACH SVHC	above 0.1%: Lead

08 DIMENSIONS / WEIGHT

Product dimensions W x H x D	809.5 x 425 (555) x 275mm
Box dimensions W x H x D	900 x 480 x 282mm
Weight (without box)	8.7kg
Weight (with box)	12kg
EAN code	4948570118700



All trademarks and registered trademarks acknowledged. E & O E. Specification subject to change without notice. All LCD's comply with ISO-9241-307:2008 in connection with pixel defects.

© IYAMA CORPORATION. ALL RIGHTS RESERVED